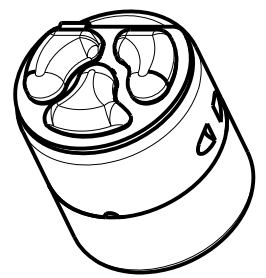
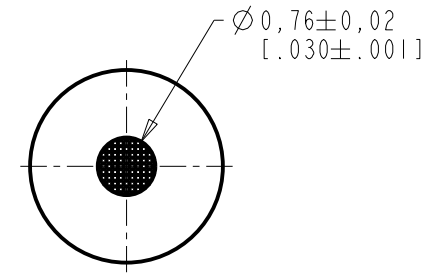
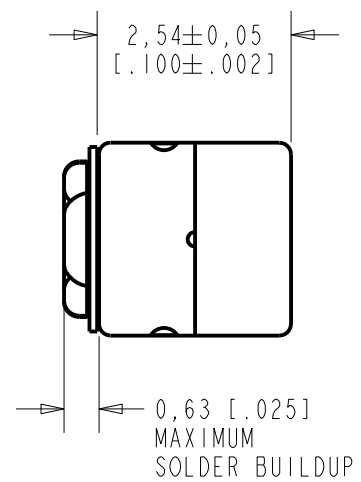
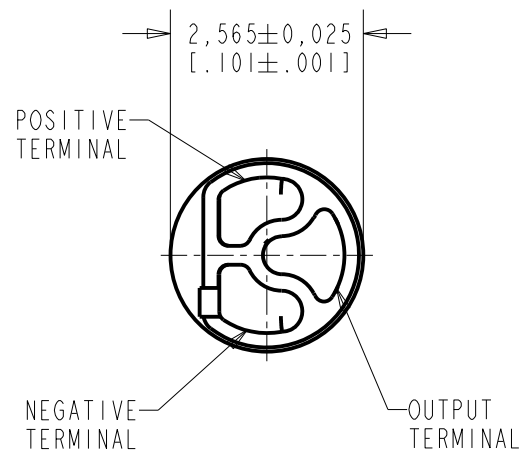


FG-23329-C05

SHT 1.1

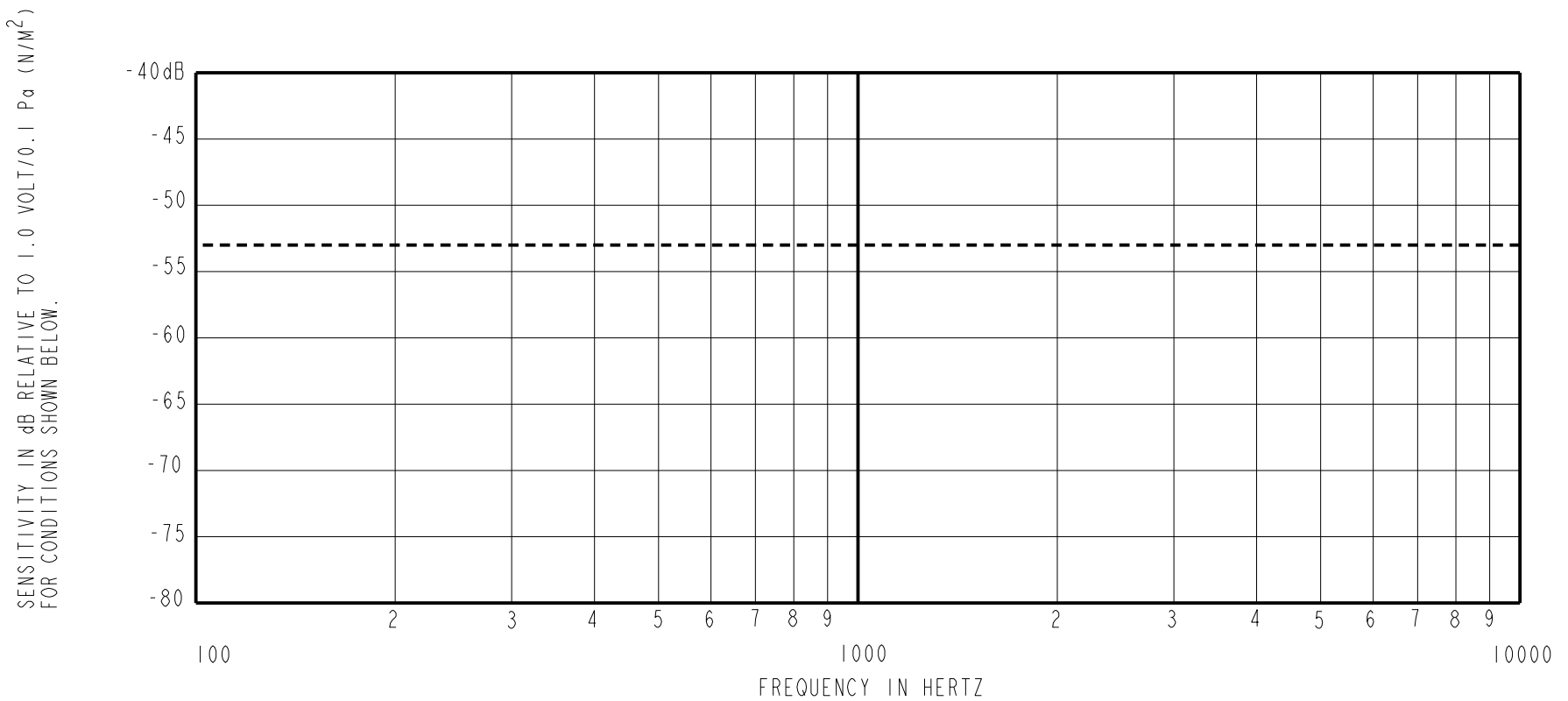


DIMENSIONS IN MILLIMETERS [INCHES]

| Revision | C.O. # | Implementation Date | RELEASE LEVEL | REVISION |
|----------|-----------|---------------------|---------------|----------|
| F | MI0103600 | 4-14-10 | Active | F |
| E | MI0103261 | 10-28-09 | | |
| D | MI0102044 | 12-25-08 | | |

| | | |
|----------------------|--|--------------|
| SCALE: 10:1 | | DR. BY DATE |
| DO NOT SCALE DRAWING | | DMS 6-24-05 |
| TITLE: MICROPHONE | | CK. BY DATE |
| OUTLINE DRAWING | | GJP 6-24-05 |
| FG-23329-C05 | | APP. BY DATE |
| SHT 1.1 | | GJP 6-24-05 |

KNOWLES ELECTRONICS
 ITASCA, ILLINOIS U.S.A.

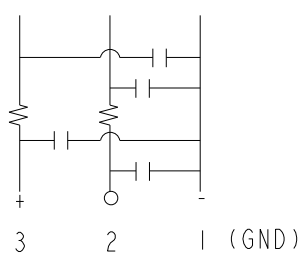


| FREQUENCY | SENSITIVITY | | | DEVICE CONFORMITY | |
|-----------|-------------|-------|-------|------------------------------|------|
| | MIN. | NOM. | MAX. | RANGE OF DEVIATION FROM 1KHz | |
| 100 | --- | -53.0 | --- | -3.0 | +3.0 |
| 1000 | -56.0 | -53.0 | -50.0 | 0.0 | 0.0 |
| 10000 | --- | -53.0 | --- | -3.0 | +3.0 |

- NOTES: 1. CASE CONNECTED TO NEGATIVE TERMINAL.
2. MICROPHONE TO BE FUNCTIONAL WITH 1.6 VDC SUPPLY.
3. TYPICAL SENSITIVITY TO HUMIDITY AT 1000Hz IS 0.06 dB/%RH
4. SENSITIVITY AND NOISE VALUES INDICATED ON THIS SPECIFICATION ARE VALID AT 50% HUMIDITY.

| DC SUPPLY | AMPLIFIER CURRENT DRAIN | SENSITIVITY CHANGE ON REDUCING SUPPLY TO 0.9VDC | "A" WEIGHTED NOISE (1 kHz EQUIV. SPL) | OUTPUT IMPEDANCE OHMS | | | CAPACITANCE ±50% | |
|-----------|-------------------------|---|---------------------------------------|-----------------------|------|------|------------------|-------|
| | | | | MIN. | NOM. | MAX. | 1-2 | 1-3 |
| 1.3V | 50 µA MAX. | 3 dB MAX. | 30.0 dB MAX. | 2800 | 4400 | 6800 | 13 pF | 13 pF |

CAPACITANCE PROBE POINTS



| Revision | C.O. # | Implementation Date | RELEASE LEVEL | REVISION |
|----------|-----------|---------------------|---------------|----------|
| F | M10103600 | 4-14-10 | Active | F |
| E | M10103261 | 10-28-09 | | |
| D | M10102044 | 12-25-08 | | |

KNOWLES ELECTRONICS
ITASCA, ILLINOIS U.S.A.

WHEN TEST LIMITS ARE USED TO ESTABLISH INCOMING INSPECTION ACCEPTANCE/REJECTION CRITERIA, CORRELATION OF TEST EQUIPMENT WITH KNOWLES IS ALSO REQUIRED FOR ELIMINATION OF EQUIPMENT AND TEST METHOD VARIATION

TITLE: **MICROPHONE** **FG-23329-C05**
PERFORMANCE SPECIFICATION **SHT 2.1**

| DR. BY | DATE |
|---------|---------|
| DMS | 6-24-05 |
| CK. BY | DATE |
| GJP | 6-24-05 |
| APP. BY | DATE |
| GJP | 6-24-05 |